

3-5CR SERIES

Multi-stage centrifugal pumps

-  Clean water
-  Domestic use
-  Civil use



PERFORMANCE RANGE

- Flow rate up to **130 l/min** (7.8 m³/h)
- Head up to **67 m**

APPLICATION LIMITS

- Liquid temperature between **-10 °C** and **+40 °C**
- Ambient temperature up to **+40 °C**
- Max. working pressure **7 bar**
- Continuous service **S1**

CONSTRUCTION AND SAFETY STANDARDS

EN 60335-1
IEC 60335-1
CEI 61-150

EN 60034-1
IEC 60034-1
CEI 2-3



CERTIFICATIONS

Company with management system certified DNV
ISO 9001: QUALITY



INSTALLATION AND USE

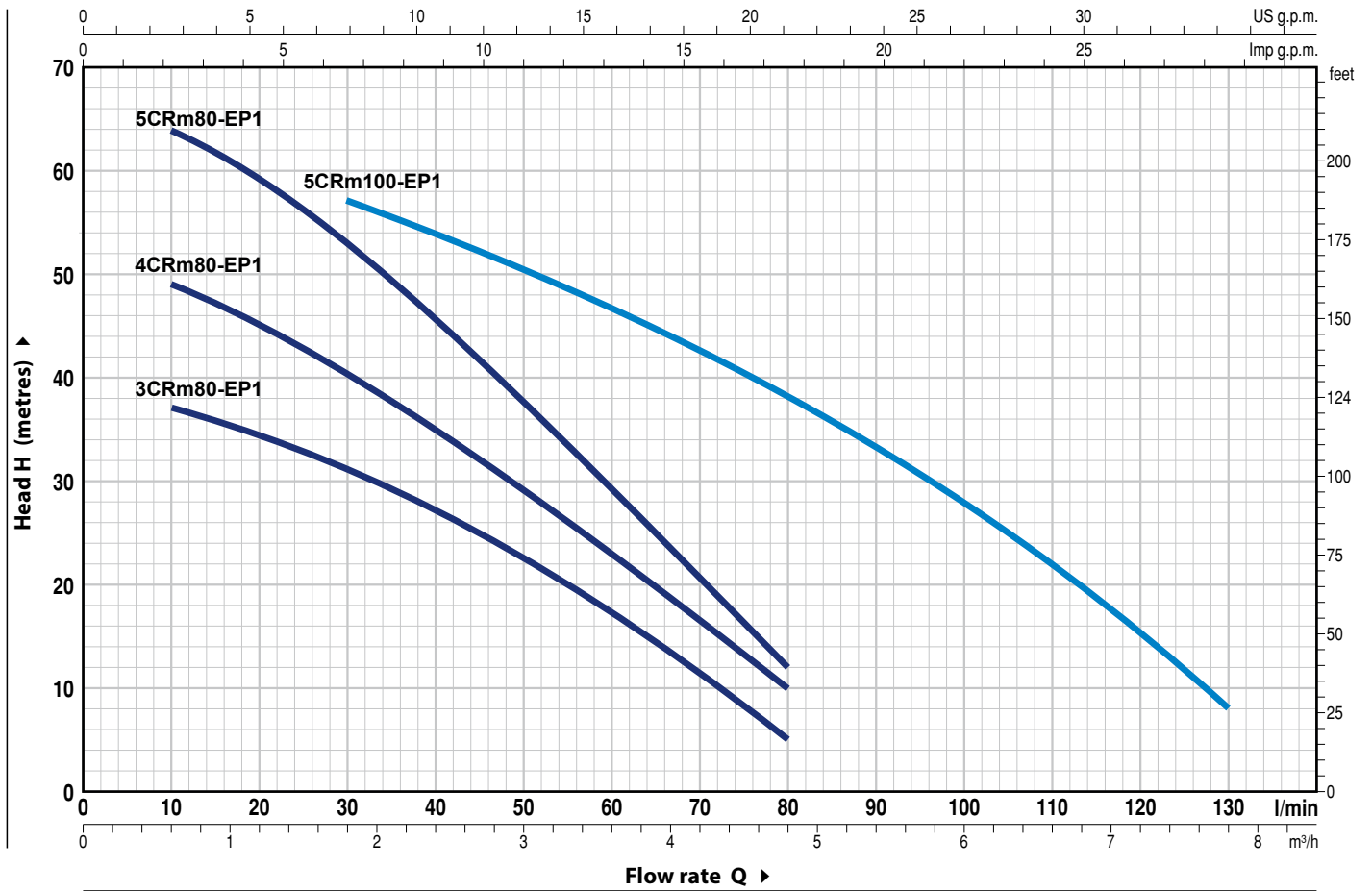
Suitable for use with clean water and with liquids that are not chemically aggressive towards the materials from which the pump is made. As a result of their quietness these pumps are widely used in domestic applications such as the distribution of water in combination with small and medium sized pressure tanks, and for the irrigation of gardens and orchards, etc. Installation needs to be undertaken in well ventilated closed areas or anyway protected from bad weather.

OPTIONS AVAILABLE ON REQUEST

- Special mechanical seal

CHARACTERISTIC CURVES AND PERFORMANCE DATA

50 Hz n= 2900 min⁻¹ HS= 0 m



MODEL	POWER (P2)		Q	Flow rate																
	kW	HP		0	0.3	0.6	0.9	1.2	1.5	1.8	2.4	3.0	3.6	4.2	4.8	5.4	6.0	6.6	7.2	7.8
Single-phase			l/min	0	5	10	15	20	25	30	40	50	60	70	80	90	100	110	120	130
3CRm 80-EP1	0.45	0.60	H metres	40	38	37	36	34.5	33	31	27	22.5	17	11	5					
4CRm 80-EP1	0.55	0.75		52	50	49	47	44.5	42	40	34	28.5	22.5	16	10					
5CRm 80-EP1	0.75	1		67	66	64	62	59	56	53	45.5	37.5	29.5	20.5	12					
5CRm 100-EP1	1.1	1.5		63	62	61.5	60.5	59.5	58	57	53.5	50.5	46.5	42.5	38	33	28	22	15	8

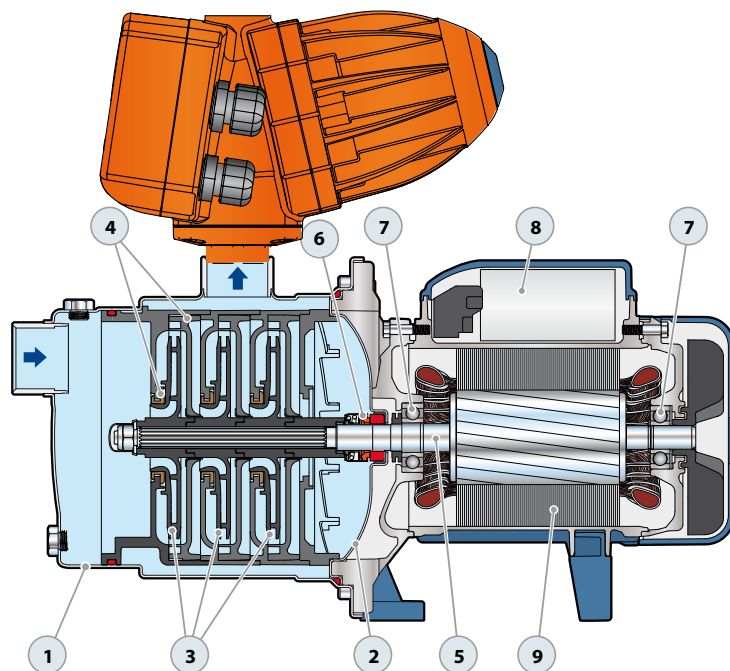
Q = Flow rate H = Total manometric head HS = Suction height

Tolerance of characteristic curves in compliance with EN ISO 9906 Grade 3B.

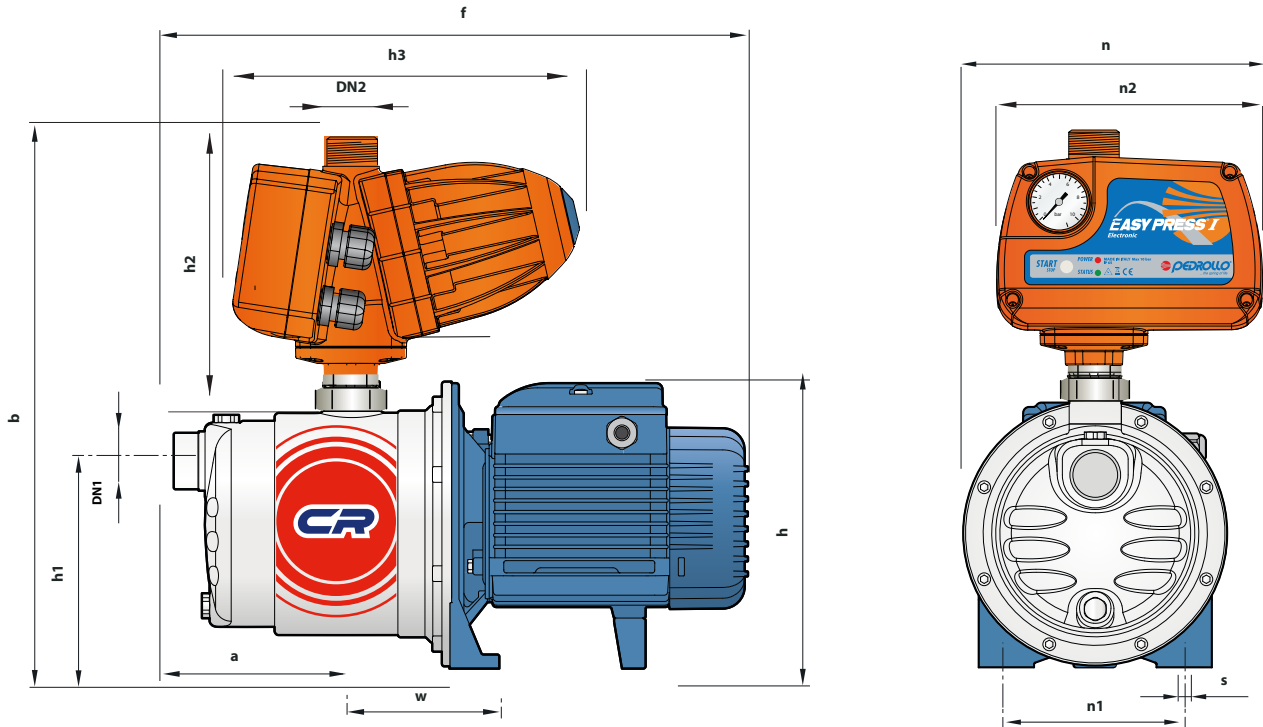
3-5CR 80-100-EP1

POS. COMPONENT CONSTRUCTION CHARACTERISTICS

1	PUMP BODY	Stainless steel AISI 304 complete with threaded ports in compliance with ISO 228/1				
2	BODY BACKPLATE	Stainless steel AISI 304				
3	IMPELLERS	Noryl FE1520PW				
4	DIFFUSERS	Noryl FE1520PW complete with anti-wear ring				
5	MOTOR SHAFT	Stainless steel AISI 431				
6	MECHANICAL SEAL	<i>Seal Model</i>	<i>Shaft Diameter</i>	<i>Stationary ring</i>	<i>Materials Rotational ring</i>	<i>Elastomer</i>
		AR-13	Ø 13 mm	Ceramic	Graphite	NBR
7	BEARINGS	<i>Pump</i>	<i>Model</i>			
		3CRm 80-EP1 4CRm 80-EP1	6202 ZZ - C3 / 6201 ZZ			
		5CRm 80-EP1 5CRm 100-EP1	6203 ZZ / 6203 ZZ			
8	CAPACITOR	<i>Pump Single-phase</i>	<i>Capacitance (230 V or 240 V)</i>			
		3CRm 80-EP1	12.5 µF - 450 VL			
		4CRm 80-EP1	14 µF - 450 VL			
		5CRm 80-EP1	20 µF - 450 VL			
		5CRm 100-EP1	25 µF - 450 VL			
9	ELECTRIC MOTOR	Single-phase 230 V - 50 Hz with thermal overload protector incorporated into the winding. – Insulation: class F – Protection: IP X4				



DIMENSIONS AND WEIGHT



MODEL	PORTS		DIMENSIONS mm												kg
	DN1	DN2	a	f	h	h1	h2	h3	b	n	n1	n2	w	s	
3CRm 80-EP1	1"	1"	113	367	182	132	212	221	370	210	125	175	87	9	7.2
4CRm 80-EP1			138	392	8.3										
5CRm 80-EP1			138	411	11.4										
5CRm 100-EP1			138	410	202										10

ABSORPTION

MODEL	VOLTAGE
Single-phase	240 V
3CRm 80-EP1	3.3 A
4CRm 80-EP1	3.6 A
5CRm 80-EP1	5.2 A
5CRm 100-EP1	6.1 A