



I Application

The sanitary and cost-efficient design of the Hyginox SE centrifugal pump makes it particularly suitable as main process pump in the dairy, beverage, pharmaceutical and cosmetic industries.

I Design and features

Hyginox SE is a range of close-coupled centrifugal pumps with sanitary design, compact and efficient. It is made of a cold-formed stainless steel casing, stainless steel open impeller (investment casting), mechanical seal, pump cover, lantern and shaft, connected to the motor shaft by mechanical compression.

The motor complies with the IEC standards, it is protected with a stainless steel shroud and provided with the height adjustable hygienically designed legs.

I Technical specifications

Materials:

Parts in contact with the product	Stainless steel AISI 316L (1.4404)
Other steel parts	Stainless steel AISI 304 (1.4301)
Gaskets in contact with the product	EPDM (according to FDA and EC 1935/2004)

Single internal mechanical seal EN 12756 I1k (according to FDA and EC 1935/2004):

Rotary part	Carbon (C)
Stationary part	Silicon carbide (SiC)
Gaskets	EPDM

Surface finish:

Internal	Ra<0,8 µm
External	Matt

Connections: DIN 11851

Operating limits:

Nominal pressure	10 bar	145 PSI
Temperature range	-10°C to +120 °C	14 °F to 248 °F
	+140°C (SIP, max- 30 min.)	284 °F
Maximum flow	130 m³/h 5	72 US GPM
Maximum differential head	90 m	295 ft
Maximum speed	3500 rpm	



I Motor

Triphasic induction motor with B34 flange (B35 for motor frame 132 and above), in compliance with the IEC standards, 2 poles = 3000/3600 rpm, efficiency class according to EC regulation, IP 55 protection and F-class insulation.

3 phases, 50 Hz, 230 V Δ / 400 V Y, ≤ 4 kW
 3 phases, 50 Hz, 400 V Δ / 690 V Y, ≥ 5,5 kW

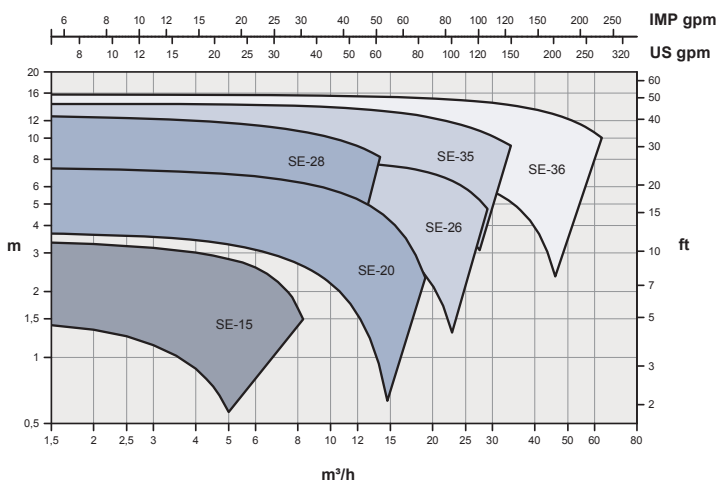
I Options

SiC/SiC mechanical seal.
 Gaskets: FPM and PTFE.
 Jacketed pump housing.
 Drain port.
 Other connection types.
 Motor with other voltages, frequencies, protection classes and efficiencies.
 Trolley and/or control panel.
 ATEX certification.

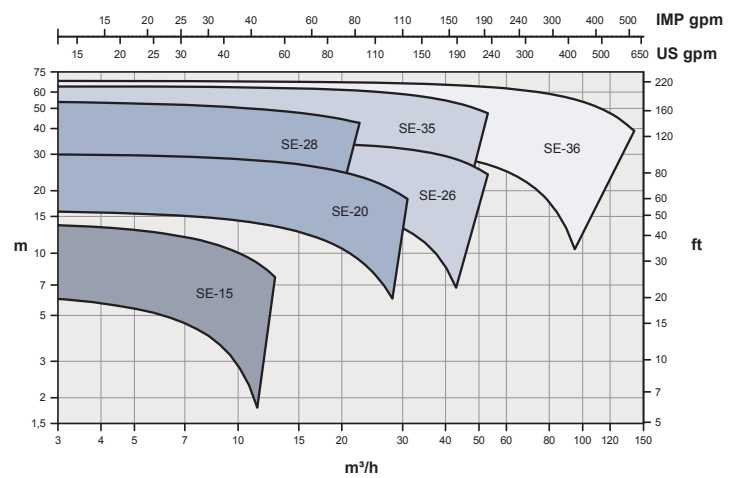
I Performance charts

50 Hz

1450 rpm

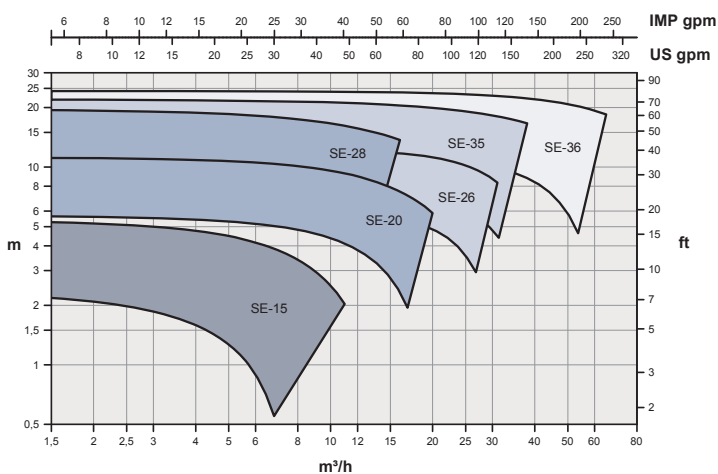


2900 rpm

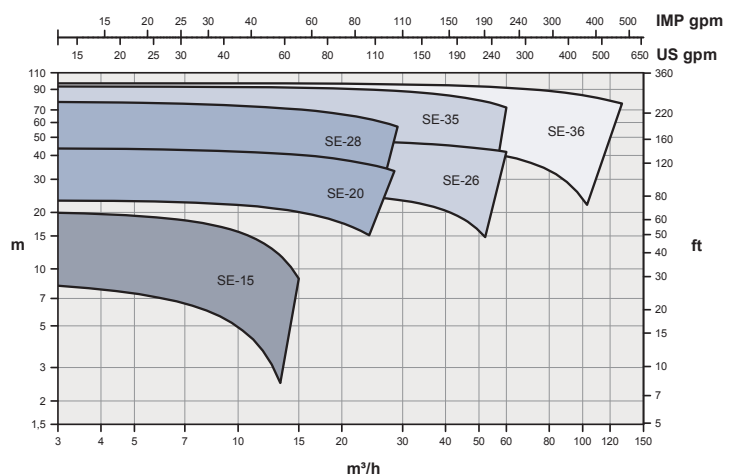


60 Hz

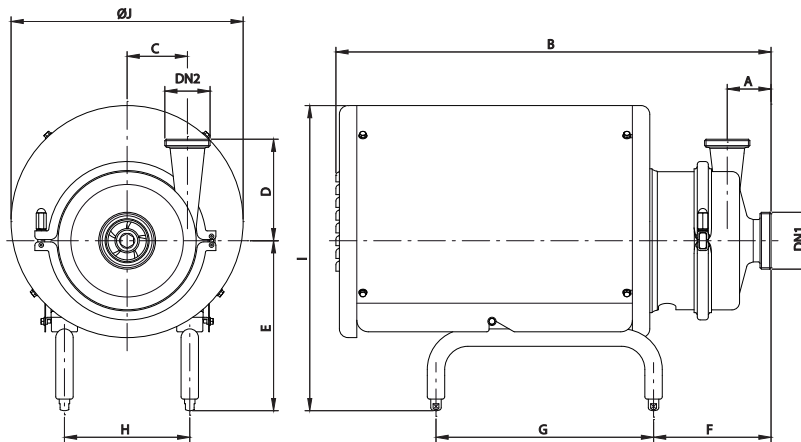
1750 rpm



3500 rpm



I Dimensions: Hyginox SE

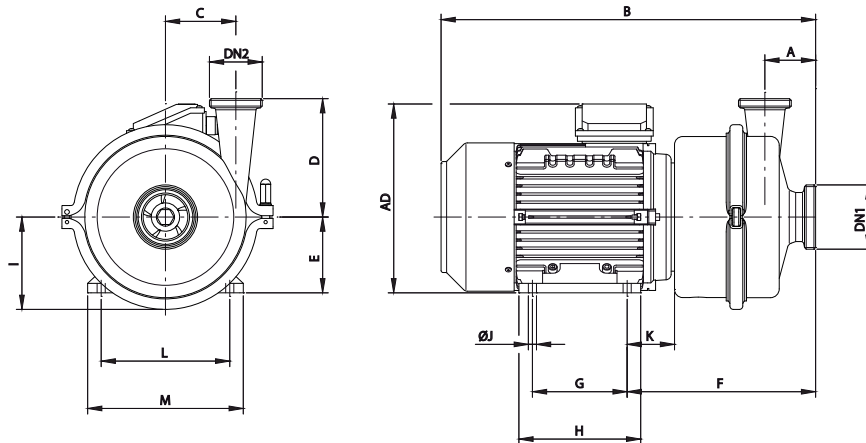


Pump	Size	Motor		DN1	DN2	A	B	C	D	E	F	G	H	I	ØJ	kg	
		kW	rpm														
SE-15	A	71	0,25	1450	40	32	440	55	100	203	111	250	112	350	230	14	
			0,55													15	
	B	80	0,75	2950			22										
C	90S	1,1	24														
SE-20	C	90S	1,1	1450	50	40	530	74	140	227	154	275	132	415	290	30	
			1,5													29	
	D	100	2,2	2950			31										
			3				43										
E	112	4	605	278	159	325	175	490	350	49							
SE-26	C	90S	1,1	1450	65	50	540	72	150	227	162	275	132	415	290	31	
			3													43	
	E	112	4				2950			610	278	166	325	175	490	350	50
			5,5							56							
			7,5							71							
F	132S	7,5	740	293	192	375	216	530	400	79							
SE-28	C	90S	1,1	1450	40	40	535	106	165	227	157	275	132	415	290	36	
			3													48	
	E	112	4				2950			610	278	161	325	175	490	350	55
			5,5							61							
			5,5							76							
F	132S	7,5	740	293	188	375	216	530	400	84							
SE-35	D	100	2,2	1450	65	50	620	104	175	266	168	325	175	480	350	49	
			3													54	
	E	112	5,5				2950			278	175	325	175	490	62		
			5,5							76							
	F	132S	7,5				293			202	375	216	530	400	85		
			11				98										
G	160M	11	885	367	242	475	267	645	465	134							
		15	154														
SE-36	D	100	2,2	1450	100	65	620	98	181,5	266	168	325	175	480	350	52	
			3													57	
	E	112	4				2950			278	175	325	175	490	63		
			7,5							88							
	F	132S	11				293			202	375	216	530	400	101		
			11				136										
G	160M	11	885	367	253	475	267	645	465	136							
		15	156														

Dimensions with DIN 11851 connections



I Dimensions: Hyginox SE without shroud and without legs



Pump	Size	Motor kW	rpm	DN1	DN2	A	B	C	D	E	F	G	H	AD	I	ØJ	K	L	M	kg						
SE-15	A	71	0,25	40	32	55	375	55	100	71	202	90	105	185	80	7	45	112	140	10						
			0,55																							11
	B	80	0,75				2950			420	80	231	100	130		215	10	50	125	160	18					
	C	90S	1,1				445			90	237	100	130	235		10	56	140	180	22						
SE-20	C	90S	1,1	50	40	55	450	74	140	90	237	100	130	235	105	10	56	140	180	24						
			1,5																							23
	D	90L	2,2				2950			470	100	255	125	155		260	12	63	160	200	34					
		E	112				4			510	112	262	140	180		280		70	190	230	41					
SE-26	C	90S	1,1	65	50	55	455	72	150	90	244	100	130	235	105	10	56	140	180	25						
		D	100				3			530	100	261		180		260		63	160	200	34					
		E	112				4			545	112	268	140	190		280	12	70	190	230	41					
			5,5															112	216	260	59					
	F	132S	7,5				2950			605	132	310		190		320	150	112	216	260	68					
SE-28	C	90S	1,1	40	40	65	450	106	165	90	240	100	125	235	137	10	56	140	180	30						
		D	100				3			525	100	257		180		260		63	160	200	39					
		E	112				4			540	112	264	140	190		280	12	70	190	230	46					
			5,5															112	216	260	52					
	F	132S	7,5				2950			600	132	306		190		320	150	112	216	260	73					
SE-35	D	100	2,2	65	50	75	540	104	175	100	271		180	260	134	12	63	160	200	41						
			3																180	280		70	190	230	45	
		E	112				5,5			555	112	278	140	190			320	150	112	216	260	65				
			7,5																			74				
		F	132S				11			610	132	320		178			230		112	216	260	87				
			132M				11			650	160	375	210	265			405	175	15	167	254	315	116			
SE-36	D	100	2,2	100	65	75	540	981	181,5	100	271	140	180	260	137	12	63	160	200	43						
			3																180	280		70	190	230	48	
		E	112				4			555	112	278	178	230			320	150	112	216	260	54				
			7,5																			77				
		F	132S				11			610	132	320	178	230			320	150	112	216	260	90				
			132M				11			650	160	375	210	265			405	175	15	167	254	315	118			
	G	160M	15	765	160	375	210	265	405	175	15	167	254	315	138											

Dimensions with DIN 11851 connections

